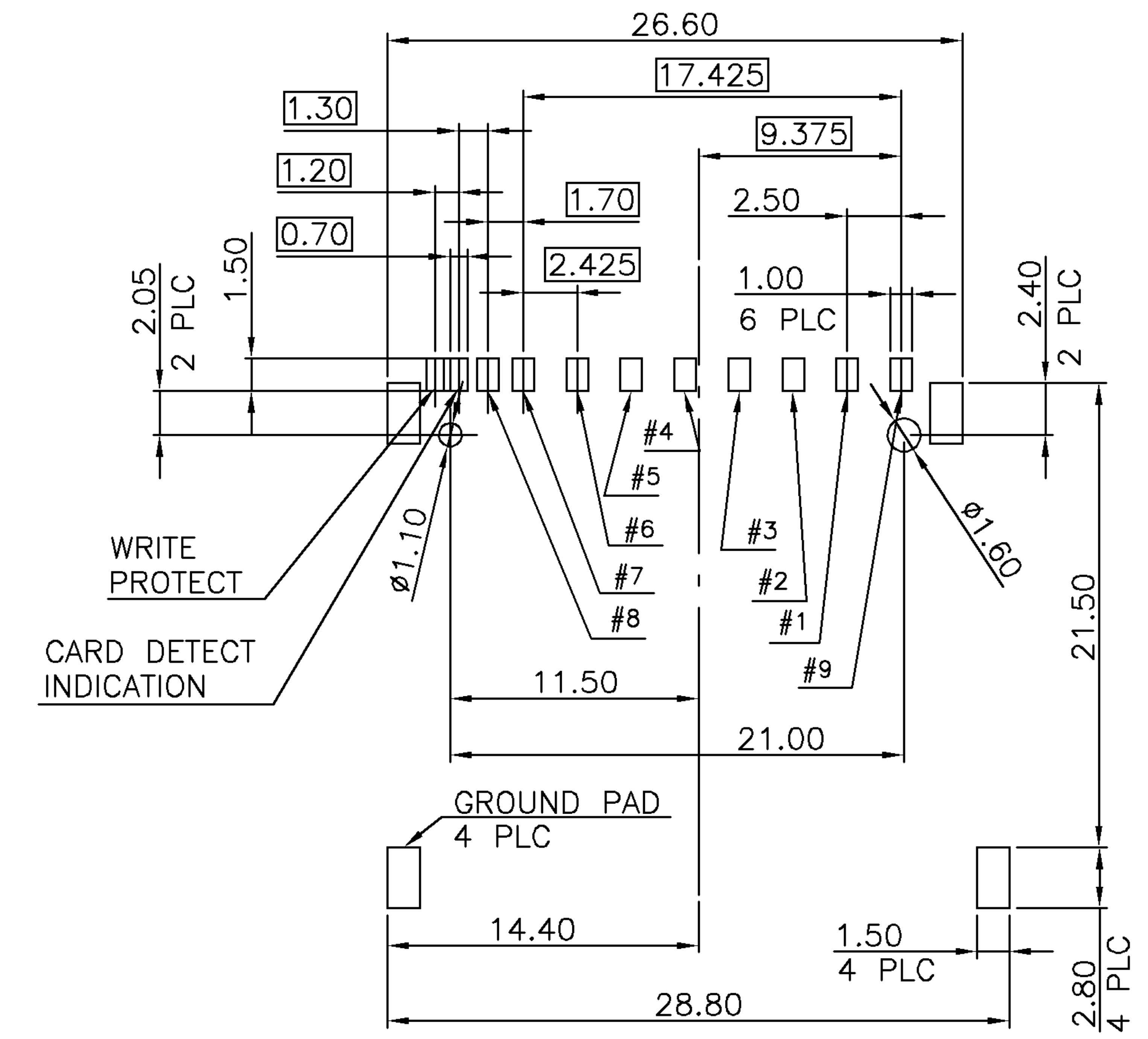
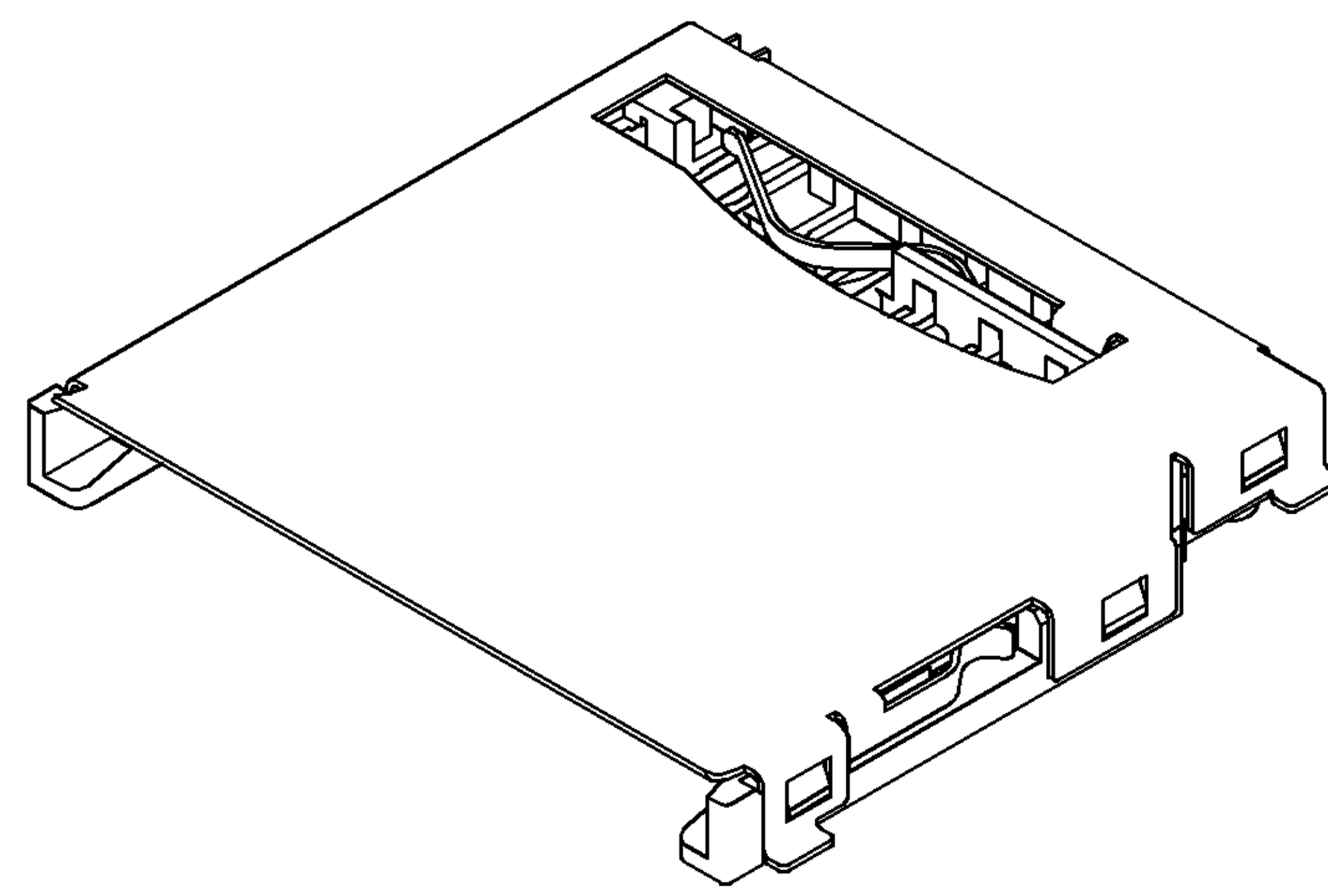
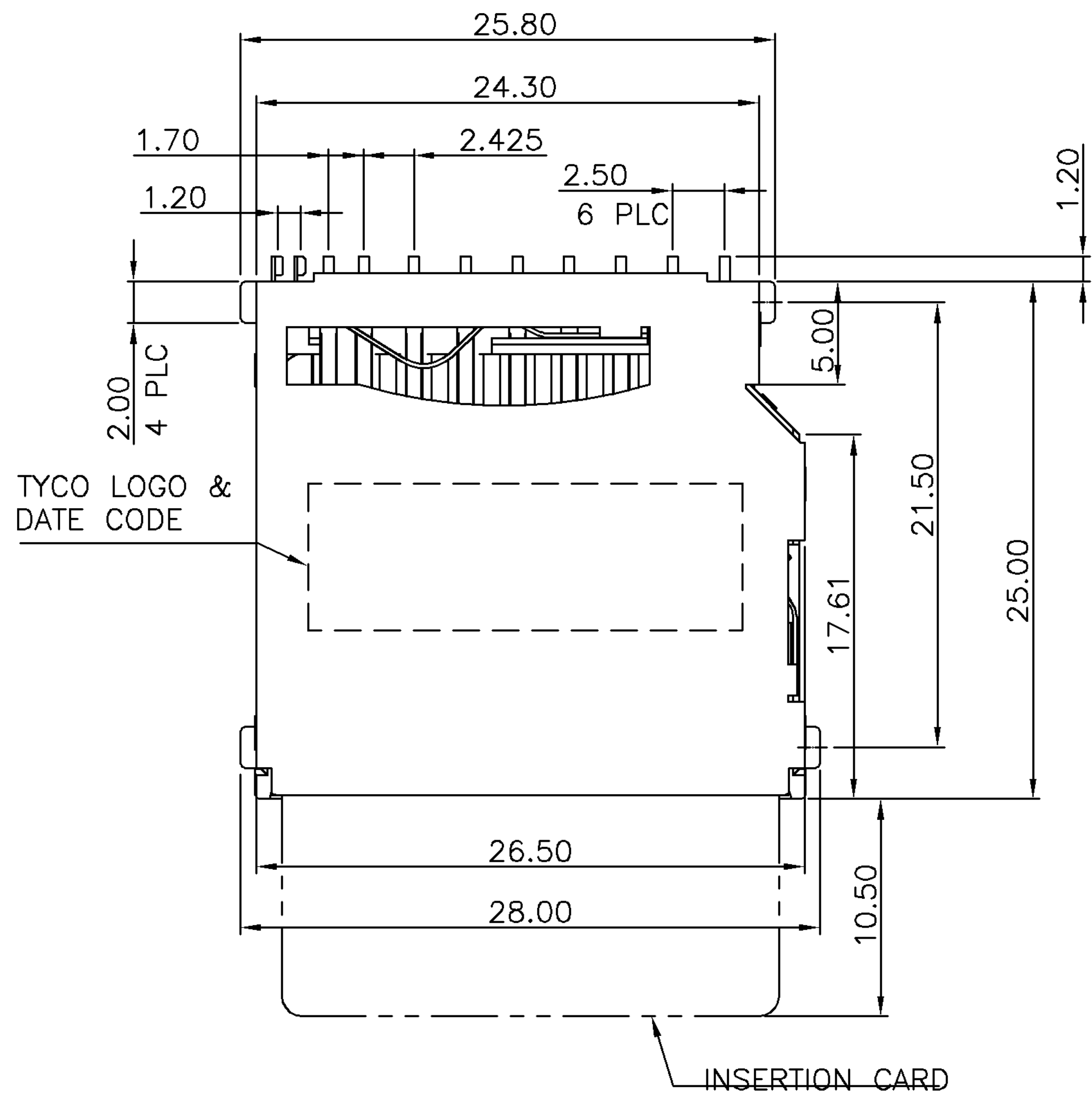
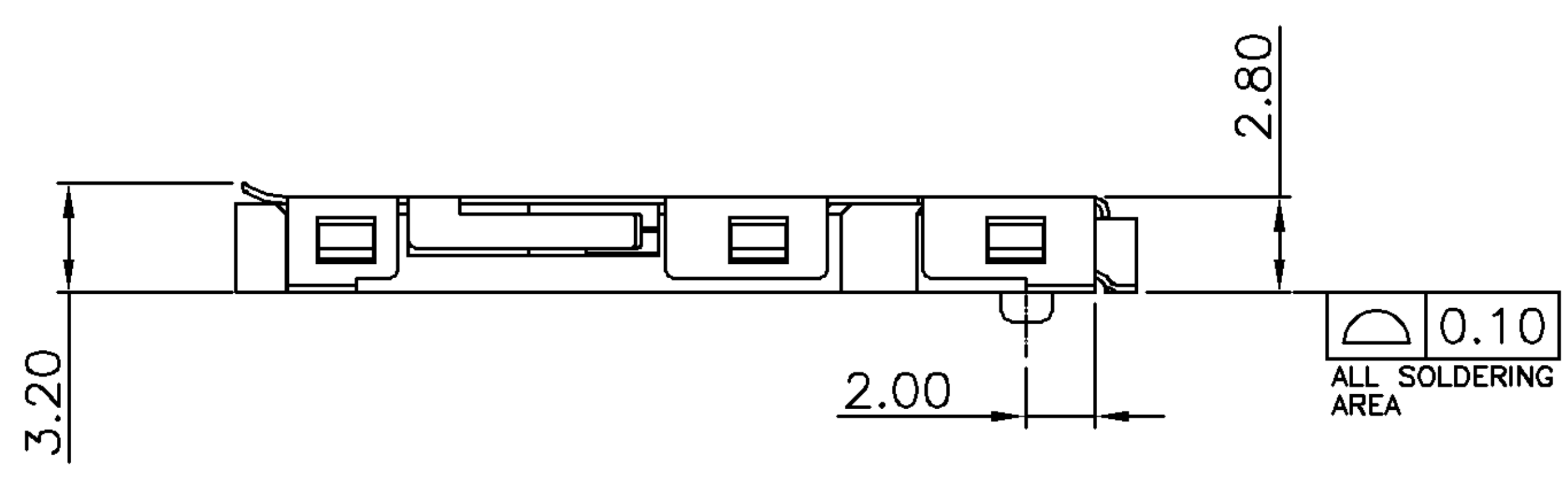
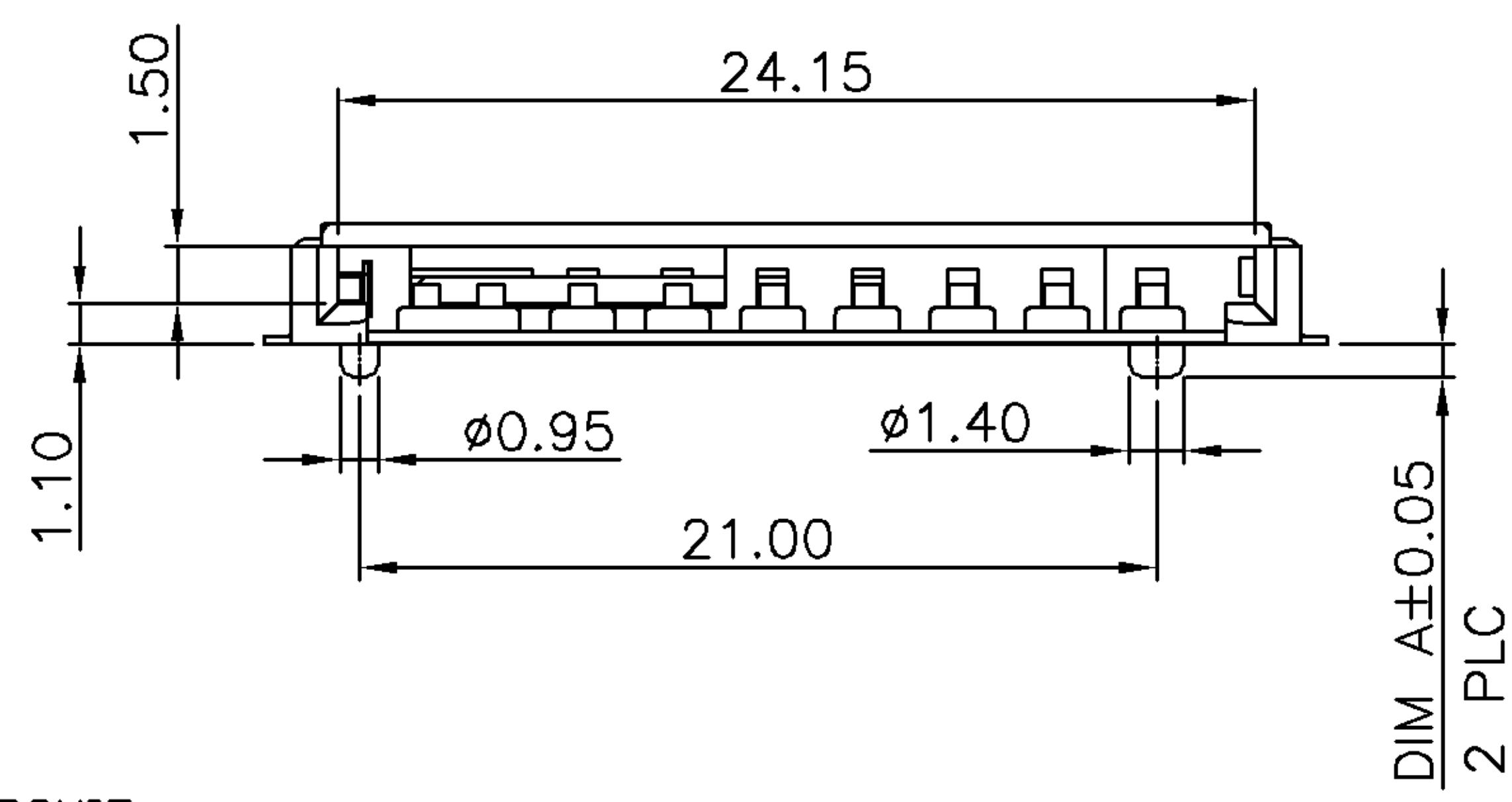


NUMBER C-1734234
METRIC
3RD ANGLE PROJECTION



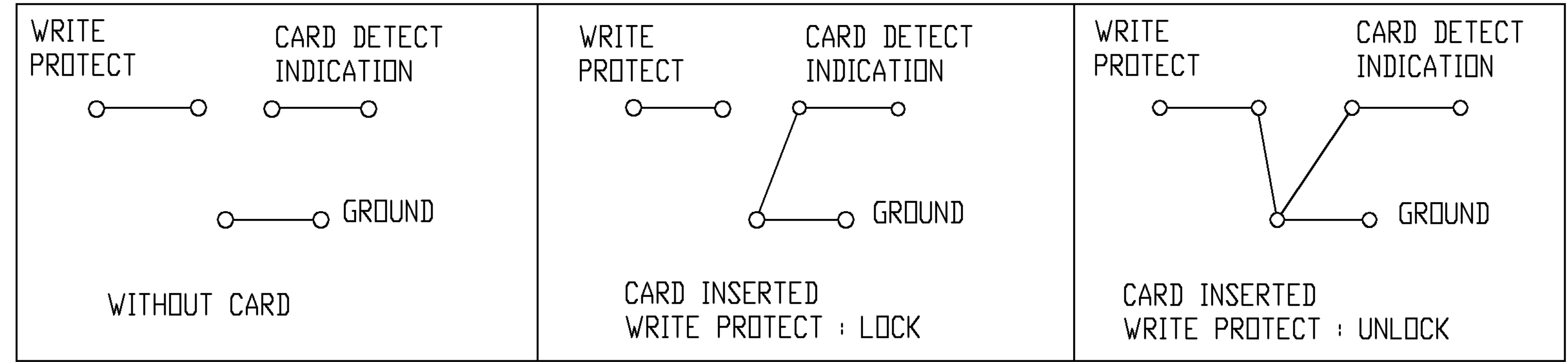
RECOMMENDED PCB LAYOUT
(TOLERANCE: ±0.1)

- NOTES:
 1. MATERIAL:
 HOUSING: THERMOPLASTIC, WITH 30% GLASS FIBER FILLED, UL 94V-0 RATED, COLOR: IVORY.
 CONTACTS: PHOSPHOR BRONZE, THICKNESS=0.20mm
 SHIELD: STEEL ALLOY, THICKNESS=0.20mm.
 2. FINISH :
 CONTACT: 10μ" MIN. GOLD PLATED ON CONTACT AREA.
 80μ" MIN. MATTE TIN PLATED ON SOLDERTAILS
 50μ" MIN. NICKEL UNDERPLATED ALL OVER.
 SHIELD: GOLD FLASH ON SOLDERING AREA.
 30μ" MIN. NICKEL UNDERPLATED ALL OVER.
 3. SWITCH: NORMALLY OPEN.
 4. REFLOW SOLDER CAPABLE TO 260°C PER TYCO SPEC 109-201, CONDITION B.



THIS INFORMATION IS CONFIDENTIAL AND IS DISCLOSED TO YOU ON CONDITION THAT NO FURTHER DISCLOSURE IS MADE BY YOU TO OTHER THAN AMP PERSONNEL WITHOUT WRITTEN AUTHORIZATION FROM AMP (TAIWAN) LTD. DIMENSIONS IN MILLIMETERS. DO NOT SCALE PRINT.

CIRCUIT :



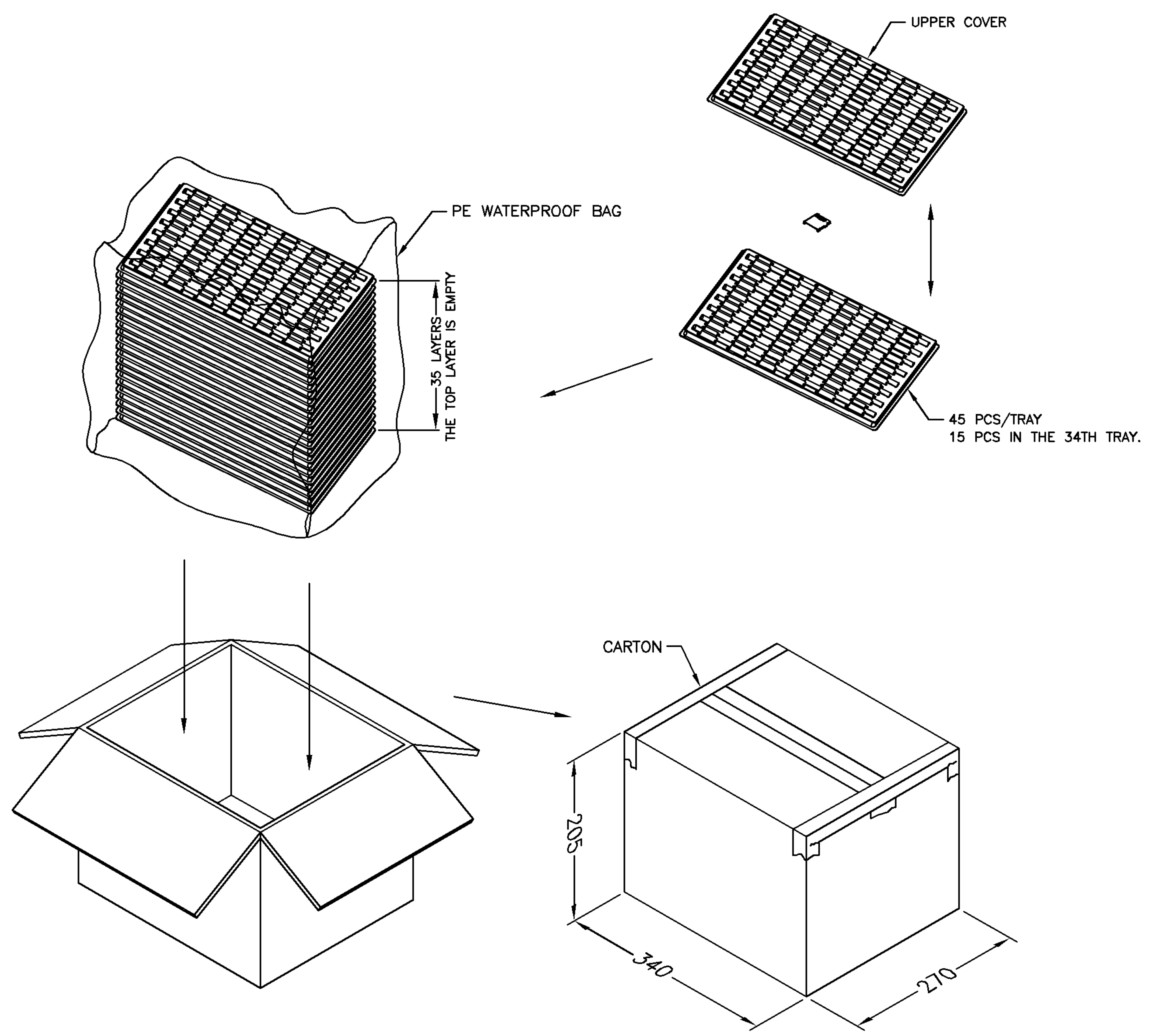
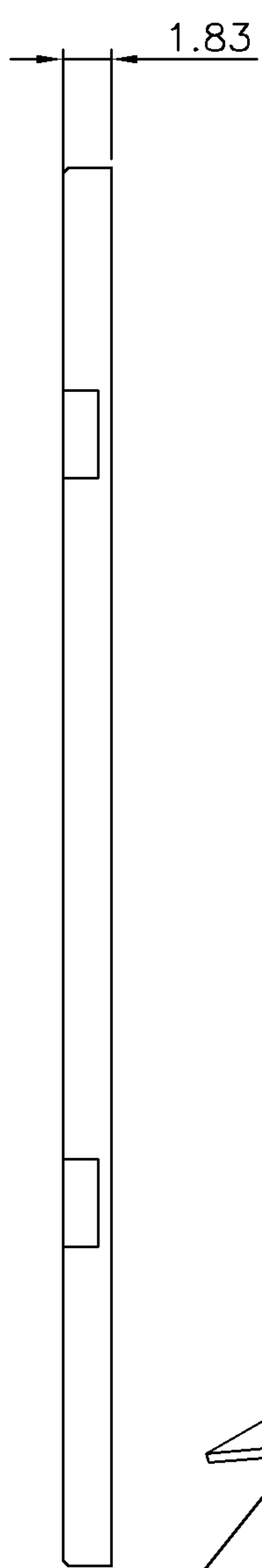
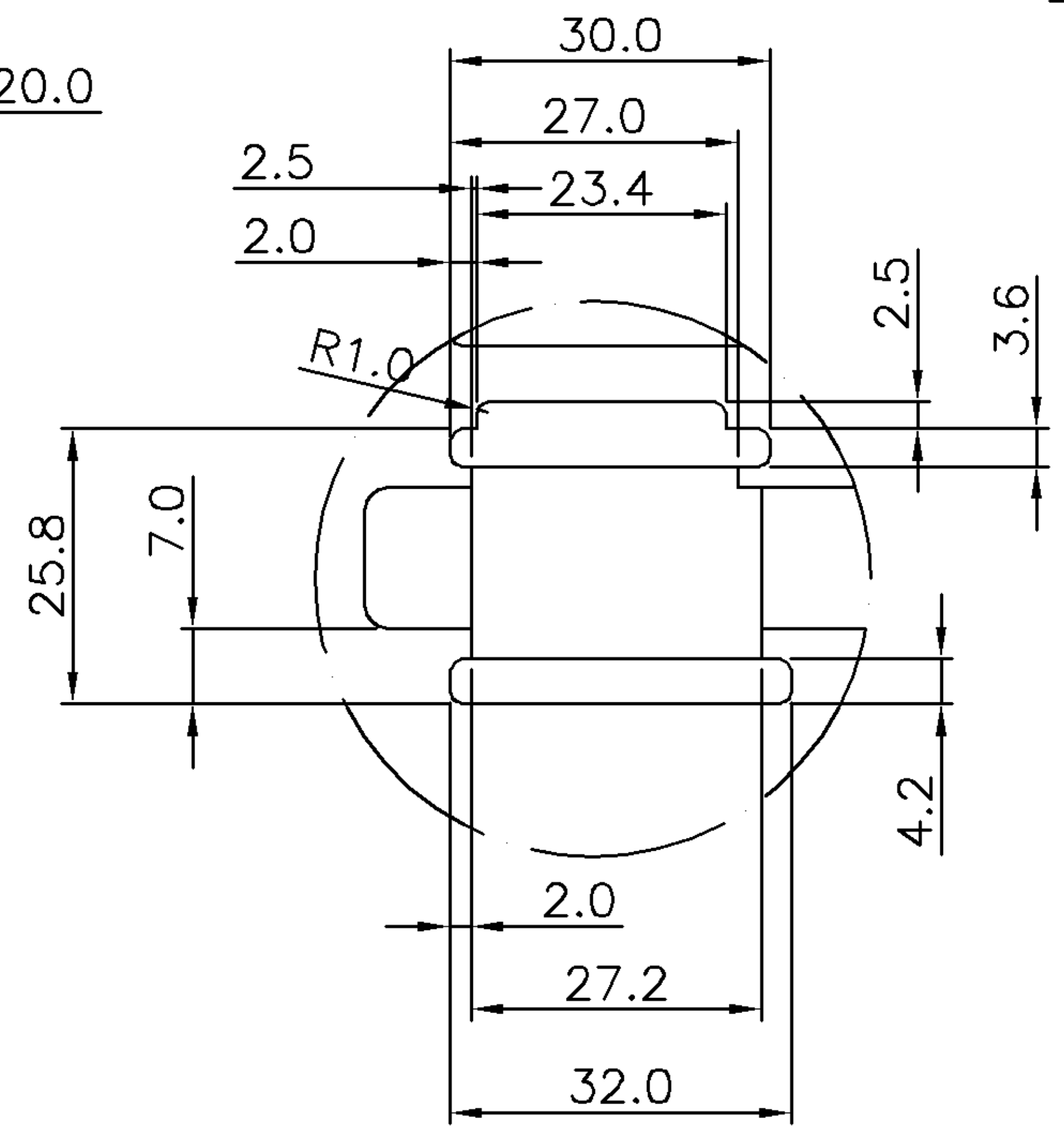
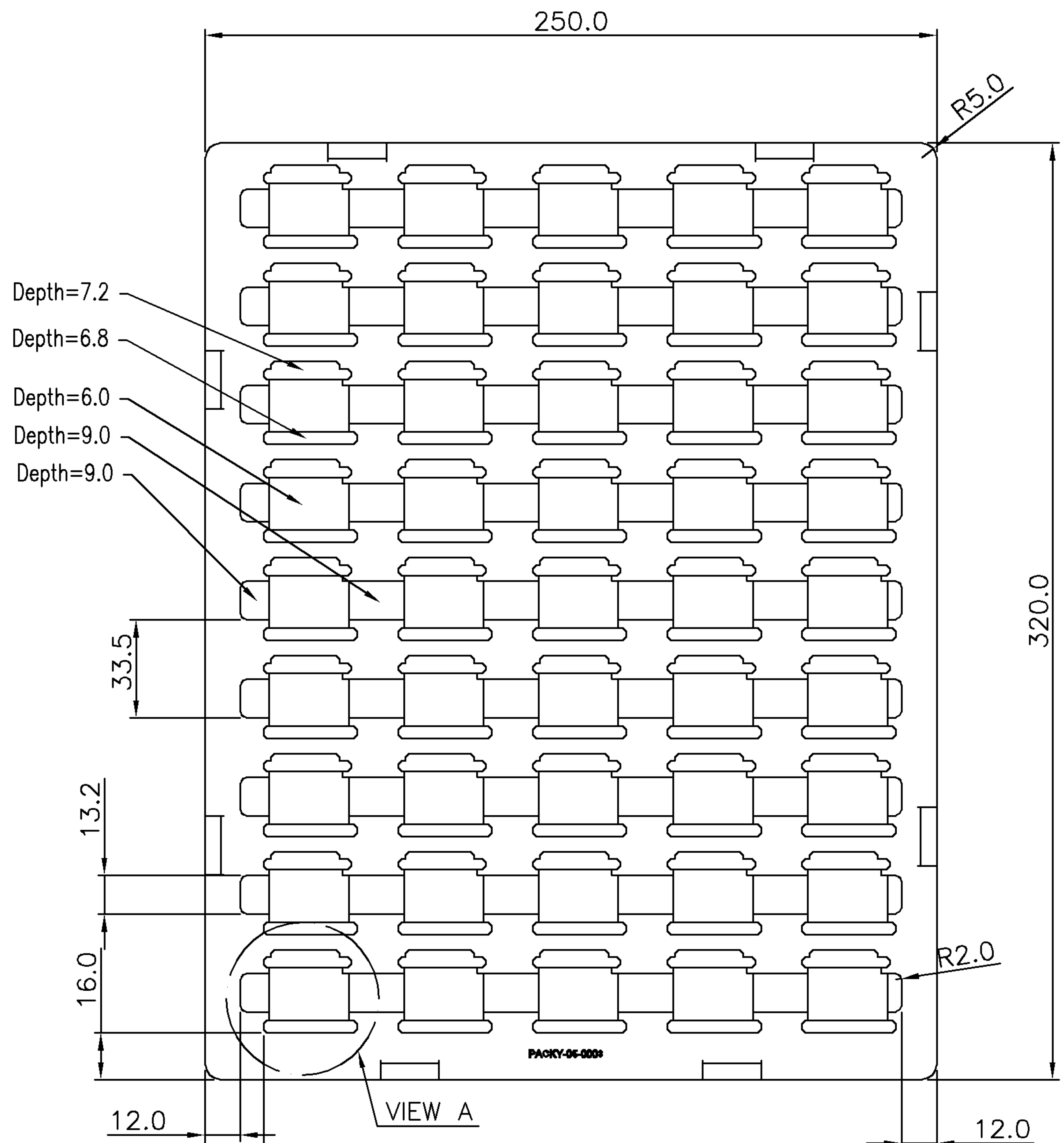
0.45	TAPE REEL	1734234-4
0.45	TRAY	1734234-3
0.85	TAPE REEL	1734234-2
0.85	TRAY	1734234-1
DIM A	PACKAGING	PART NUMBER

TOLERANCES UNLESS OTHERWISE SPECIFIED: 0 PLC ±0.5 1 PLC ±0.3 2 PLC ±0.2 3 PLC ±0.1 ANGLES ±5'	DWN	O. HU	TYCO HOLDINGS (BERMUDA) VII LTD. TAIWAN BRANCH
		17-FEB-2006	
MATERIAL SEE NOTE	CHK	S. HOU	SECURITY DIGITAL CARD CONNECTOR
		17-FEB-2006	
FINISH SEE NOTE	APVD	W.J. KE	LOC SIZE DRAWING NO REV DW A ₃ C-1734234 A
		17-FEB-2006	
	PRODUCT SPEC 108-57127		SCALE SHEET -- 1 OF 3
	QUALIFICATION TEST REPORT 501-57089		
	WEIGHT		

A	FIRST RELEASED		OH SH	17FEB 2006
LTR	REVISION RECORD	ECN	DWN CHK	DATE

THIS INFORMATION IS CONFIDENTIAL AND IS DISCLOSED TO YOU ON CONDITION THAT NO FURTHER DISCLOSURE IS MADE BY YOU TO OTHER THAN AMP PERSONNEL WITHOUT WRITTEN AUTHORIZATION FROM AMP (TAIWAN) LTD. DIMENSION IN MILLIMETERS. DO NOT SCALE PRINT.

NUMBER C-1734234
METRIC
3RD ANGLE PROJECTION



1500 PCS	4.9 KG
QUANTITY	WEIGHT

TOLERANCES UNLESS OTHERWISE SPECIFIED: 0 PLC ± 1 PLC ± 2 PLC ± 3 PLC ± ANGLES ±	DWN O. HU 17-FEB-2006	TYCO HOLDINGS (BERMUDA) VII LTD. TAIWAN BRANCH NAME
	CHK S. HOU 17-FEB-2006	
MATERIAL -	APVD W.J. KE 17-FEB-2006	SECURITY DIGITAL CARD CONNECTOR
FINISH -	PRODUCT SPEC -	LOC DW A ₃ DRAWING NO C-1734234 REV A
	QUALIFICATION TEST REPORT -	SCALE -- SHEET 2 OF 3
	WEIGHT	

LTR	SEE SHEET 1.	ECN	DWN	CHK	DATE
	REVISION RECORD				

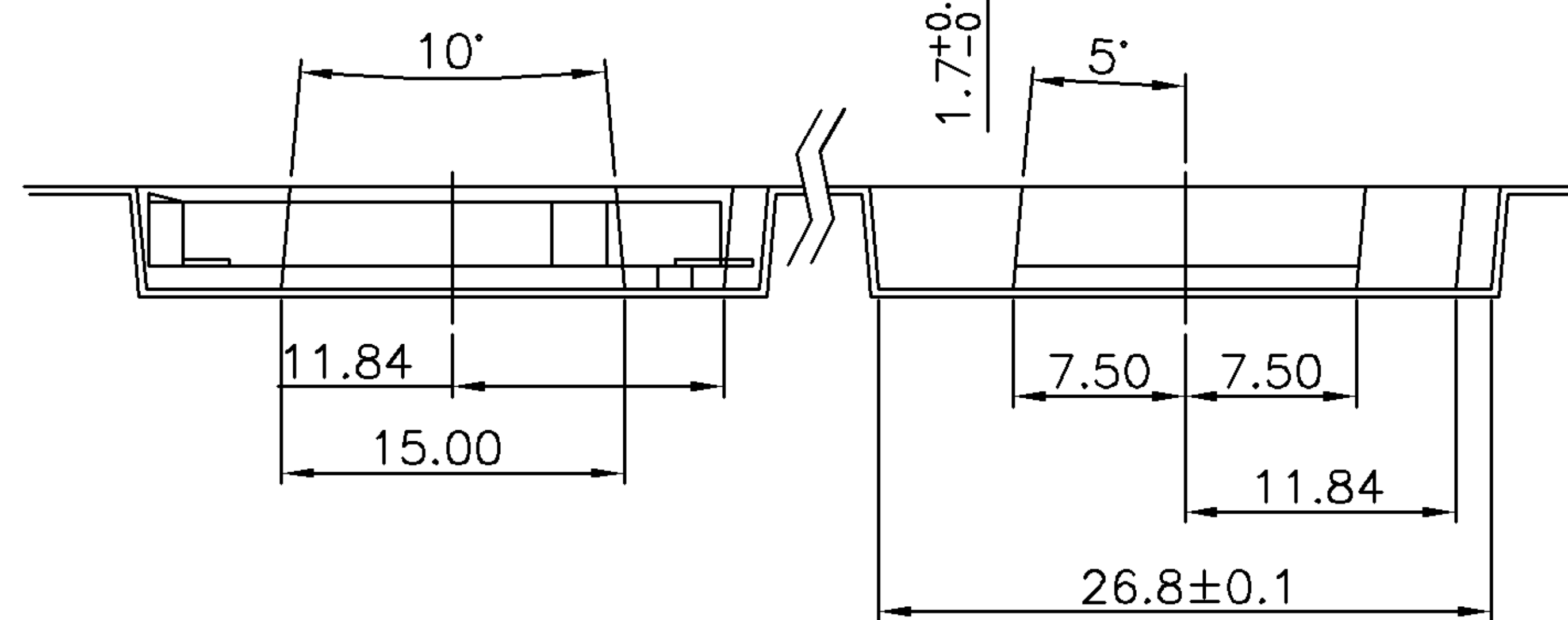
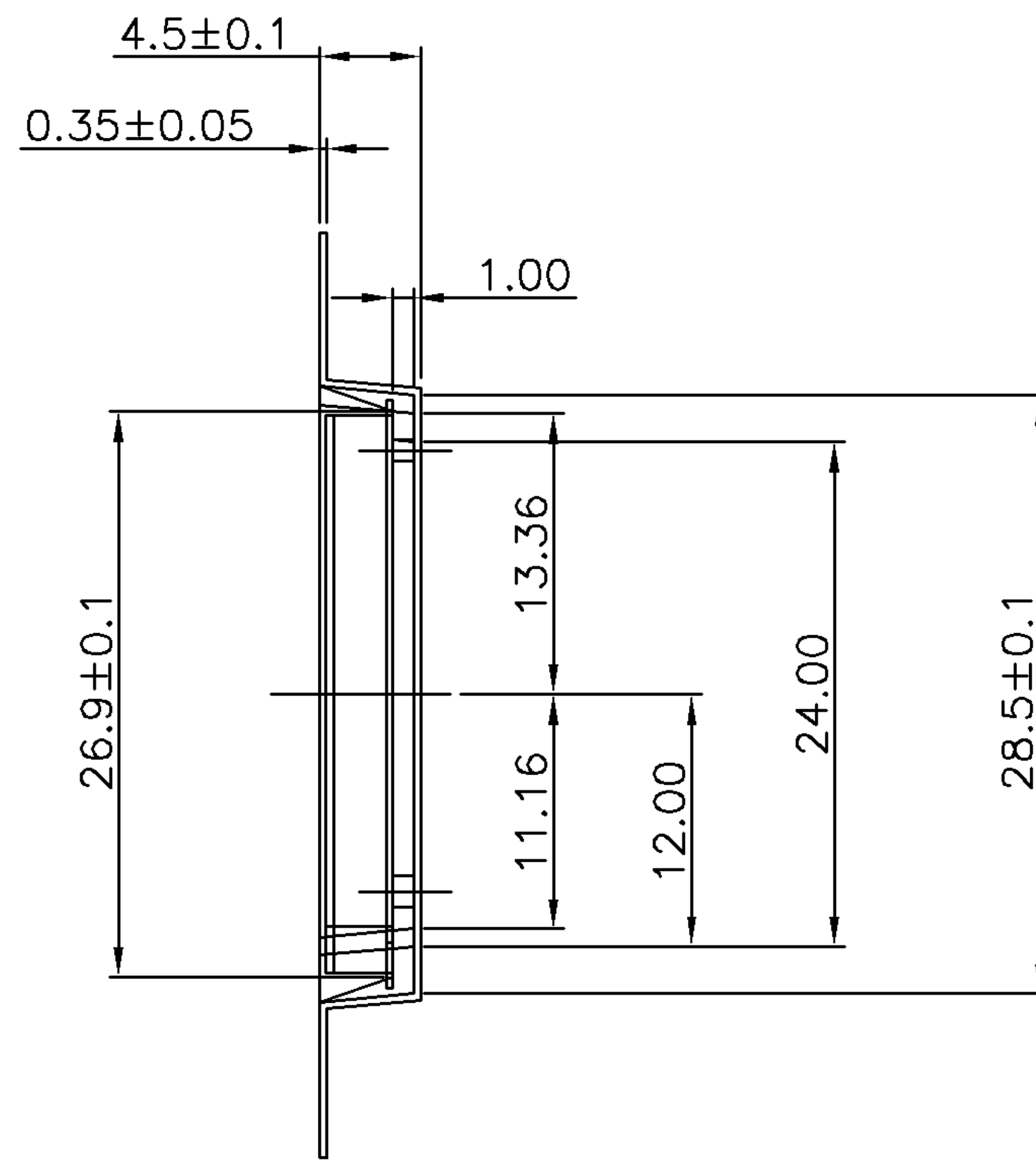
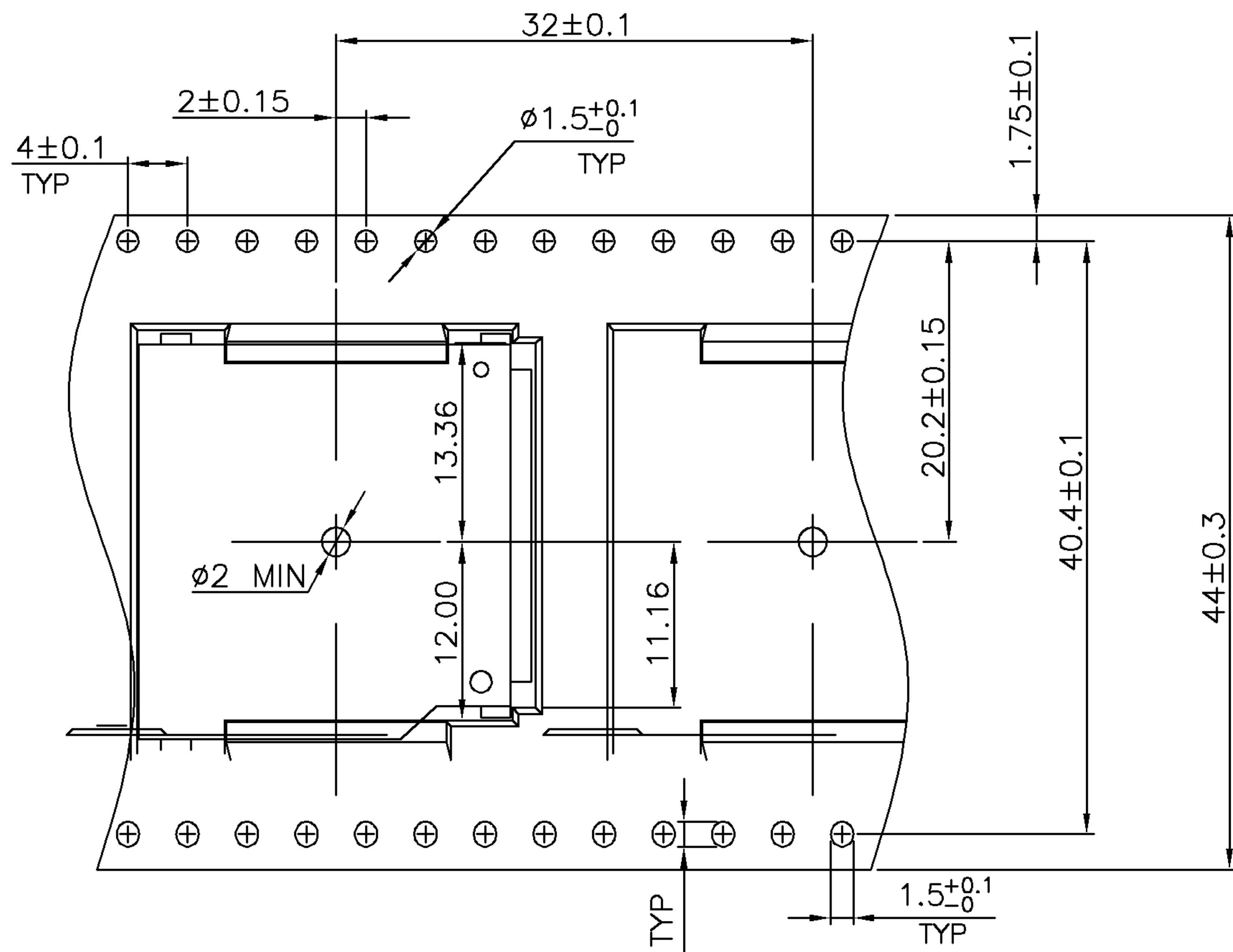
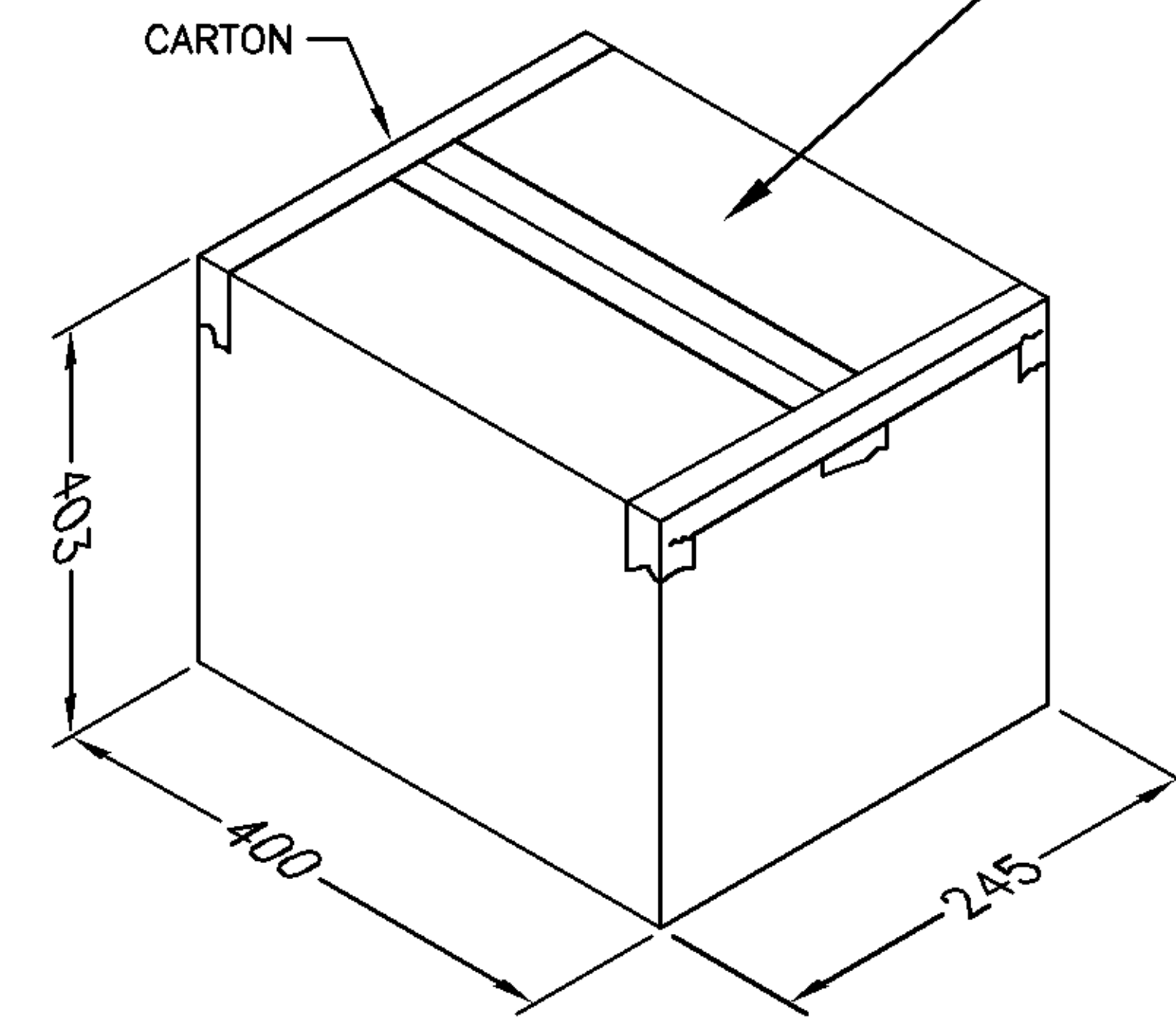
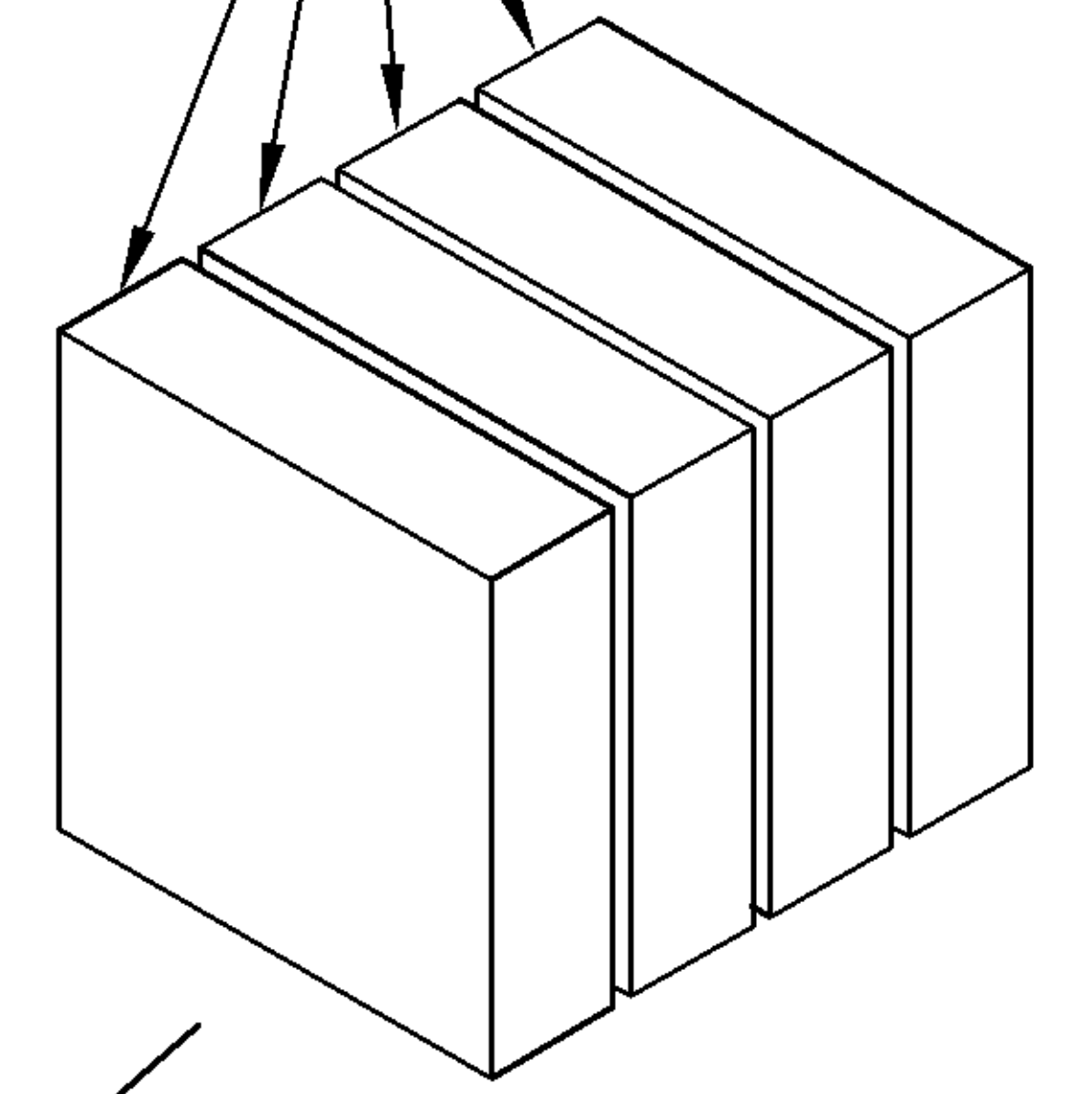
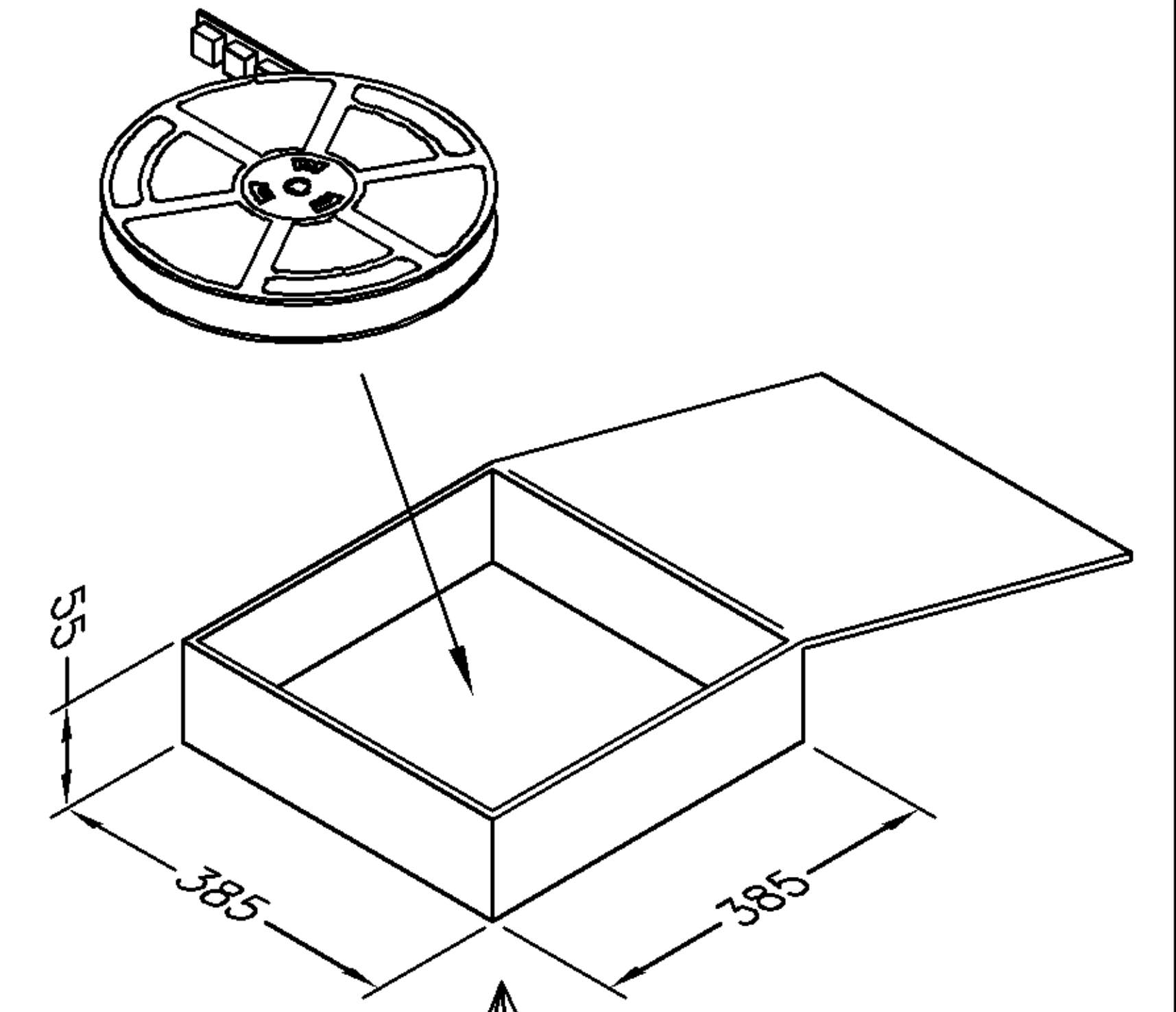
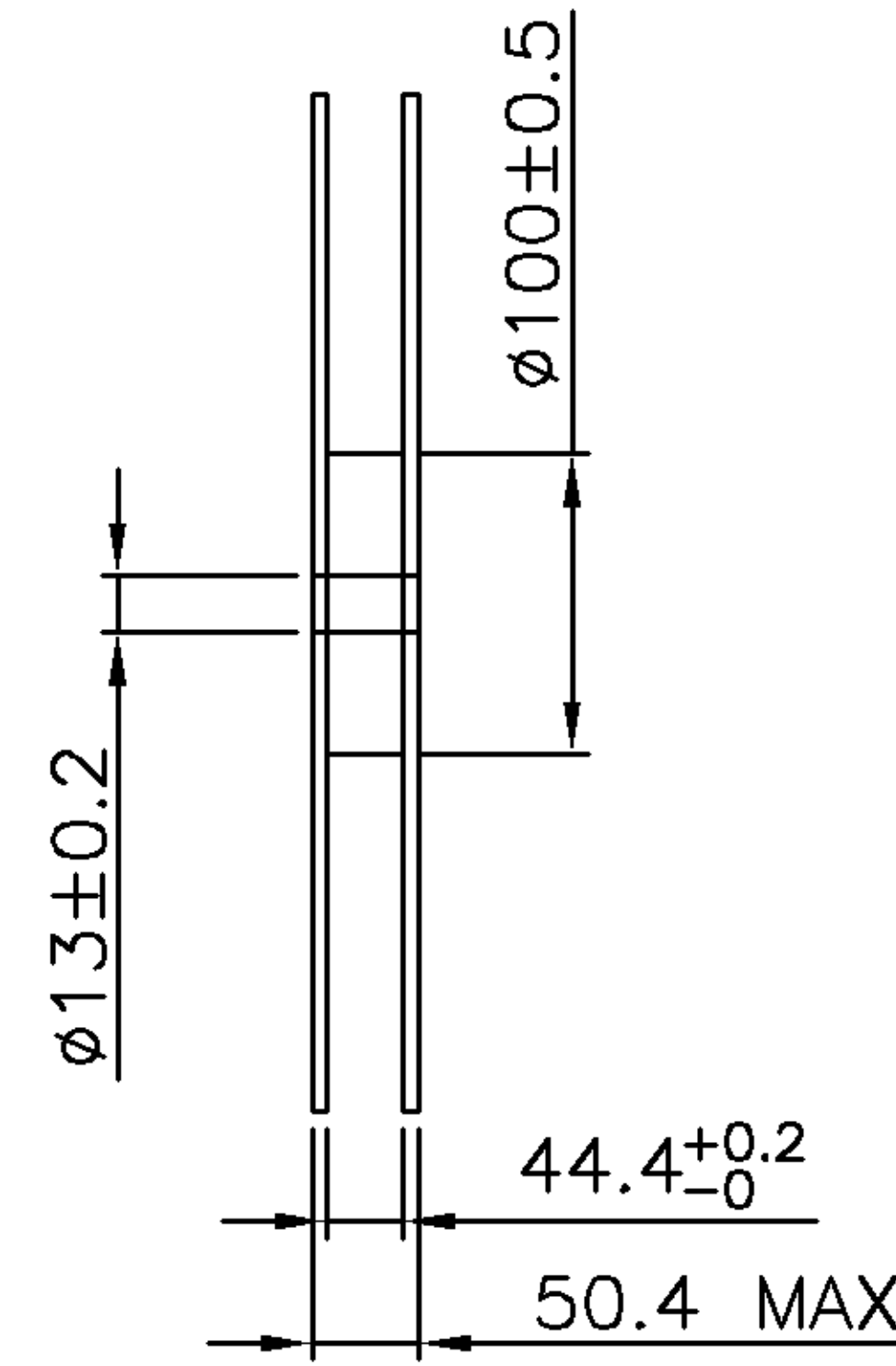
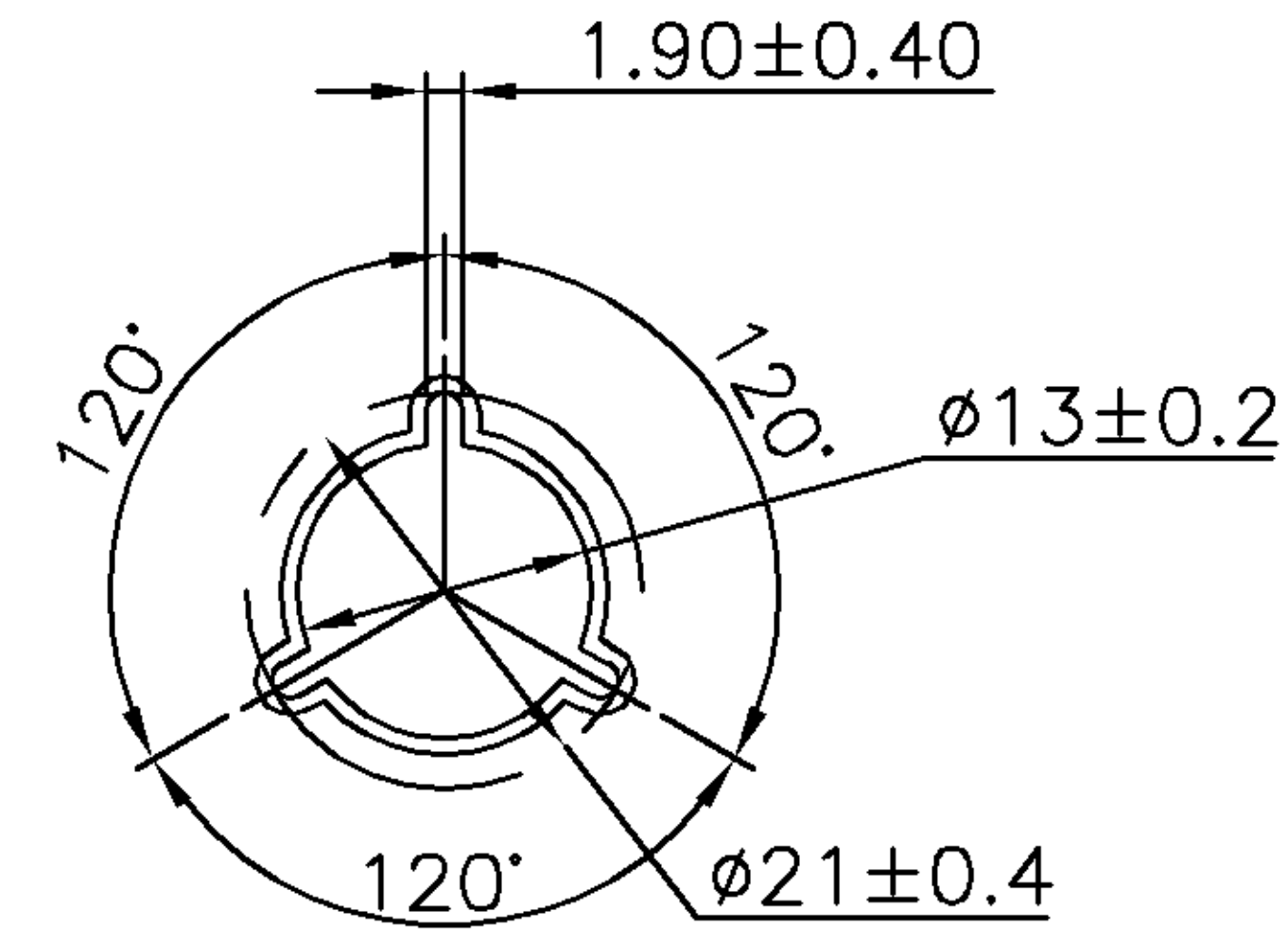
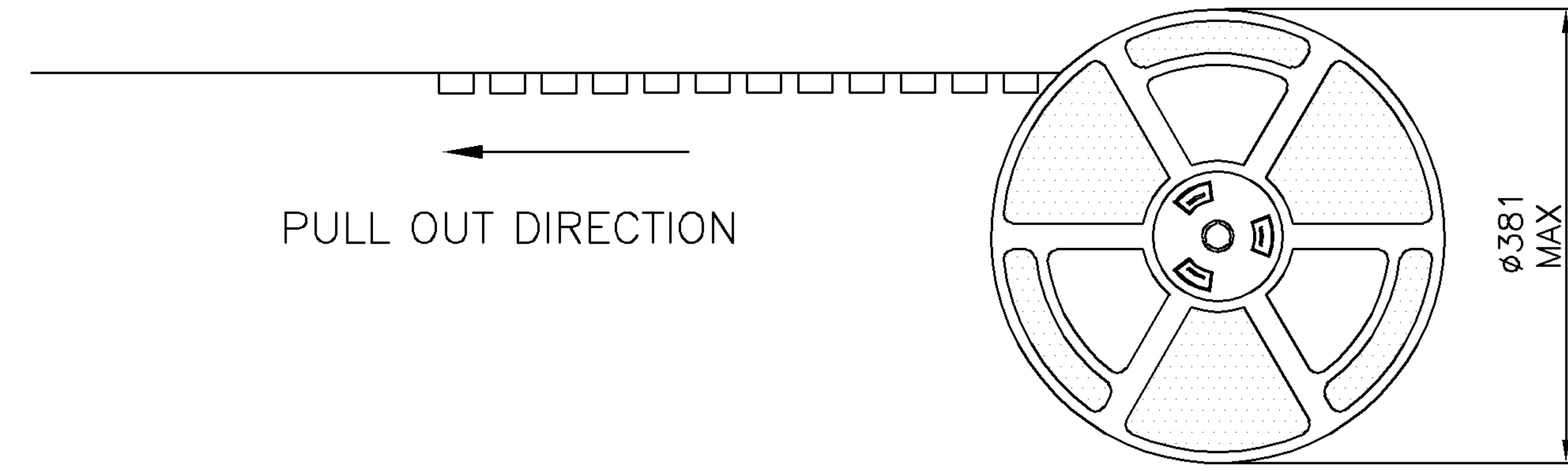
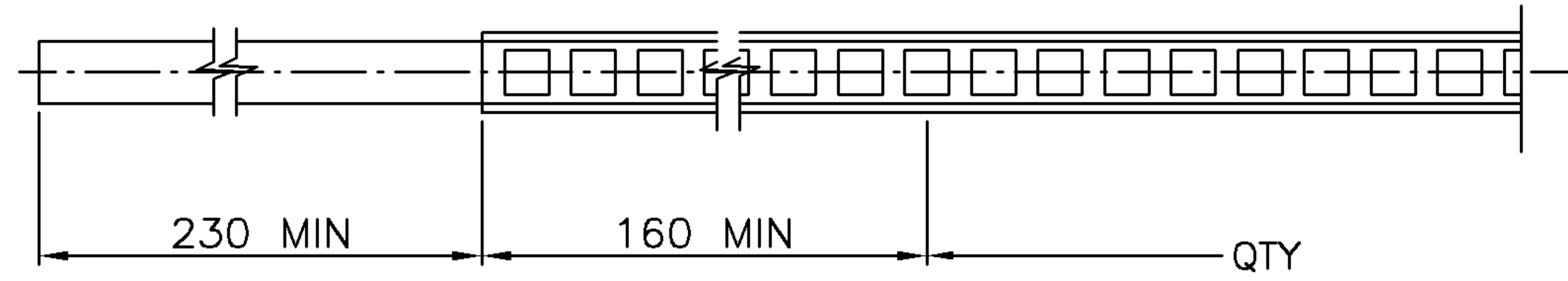
NUMBER
C-11734234

METRIC
3RD ANGLE PROJECTION

METRIC

THIS INFORMATION IS CONFIDENTIAL AND IS DISCLOSED TO YOU ON CONDITION THAT NO FURTHER DISCLOSURE IS MADE BY YOU TO OTHER THAN AMP PERSONNEL WITHOUT WRITTEN AUTHORIZATION FROM AMP (TAIWAN) LTD. DIMENSION IN MILLIMETERS. DO NOT SCALE PRINT.

PRINT
DW



2000 PCS	500 PCS
QUANTITY	TAPE REEL

TOLERANCES UNLESS OTHERWISE SPECIFIED:		DWN	O. HU	TYCO HOLDINGS (BERMUDA) VII LTD. TAIWAN BRANCH NAME
0 PLC ±			17-FEB-2006	
1 PLC ±		CHK	S. HOU	
2 PLC ±			17-FEB-2006	
3 PLC ±				
ANGLES ±				
MATERIAL	-	APVD	W.J. KE	SECURITY DIGITAL CARD CONNECTOR
			17-FEB-2006	
FINISH	-	QUALIFICATION TEST REPORT	-	LOC DW
		WEIGHT	-	SIZE A₃
				DRAWING NO C-1734234
				REV A
				SCALE --
				SHEET 3 OF 3

LTR	SEE SHEET 1.	ECN	DWN	DATE
	REVISION RECORD		CHK	

CUSTOMER DRAWING